

TANDBERG

Endpoints Division

Components and Cables

D50567 Revision 02

December 2009

TANDBERG Profile Video Systems

Profile Dual 65 C90	Profile Dual 52 MXP
Profile 65 C60	Profile 52 MXP
Profile Dual 52 C60	Profile 3000 MXP
Profile 52 C60	8000 Profile (EOL)
Profile 42 C60	6000 Profile (EOL)
Profile 42 C20	T1 (EOL)

TANDBERG Video Codecs

C90 Codec	Edge 95
C60 Codec	Edge 85
6000 Codec	Edge 75
3000 Codec	Quickset C20

TANDBERG Settop Systems

990 MXP	990 V.35 MXP (EOL)
880 MXP	880 V.35 MXP (EOL)
770 MXP	

TANDBERG Integrator Systems

C90 Integrator
C60 Integrator
6000 Integrator
3000 Integrator

TANDBERG Desktop Systems

1700 MXP
1000 MXP
150 MXP
E20

TANDBERG Camera Solutions

Precision 1080p
Precision 720p
WAVE II
TVS

TANDBERG Industry Solutions

Tactical MXP

This document was prepared by TANDBERG Theater Product Management.
If you have corrections or questions please contact one of the following people:

bill.mcnine@tandberg.com
enrico.conedera@tandberg.com

Revised: December 9, 2009

changes in D5056702

- corrected document number suffix
- added Dual Profile 52 w/6000 MXP
- added Profile 65 and Dual Profile 65
- added Profile 42 w/C20
- added Tactical MXP
- NPP included on all Profiles
- moved 880 V.35 and 990 V.35 to EOL section
- various small corrections

changes in D5056710

- edited earlier v3 document for conformity
- added product id numbers and other small changes

[Index](#)

116700

TANDBERG E20



TANDBERG

Part Number	Description
-------------	-------------

116700	TANDBERG E20
---------------	---------------------

Main Components

116701		TANDBERG E20 Unit
116707	<i>included</i>	Handset

Software

S52100		SW for E20
--------	--	------------

Other Components

116849		Handset Cable
--------	--	---------------

Documentation

117148		Quick Reference Guide E20 English
--------	--	-----------------------------------

Network Cables

117147		Ethernet Cable, 2m
117149		Installation Guide E20

Power Cables (for NA and Japan)

116829		12V Power Supply
118012		Pwr cable US 1.5m black
118018		Pwr cable Japan 1.5m black

[Index](#)

117440

TANDBERG Integrator Package C90



TANDBERG

Part Number	Description
-------------	-------------

117440	TANDBERG Integrator Package C90
--------	--

Main Components

116805	C90 Unit Codec
116550S	PrecisionHD 1080p60 12X Camera - Silver
116611	Hood for Lens

Software

S52000	<i>included</i>	SW for Codec - 10Mb total bandwidth / 6Mb max per call - includes 720p30
113891P001	<i>included</i>	Product ID for C90
117441NPP	<i>option</i>	C90 Integrator - Natural Presenter Package (NPP) - allows dual streams
117441MS	<i>option</i>	C90 Integrator - 4 Way 1080p30 / 720p60 Multisite (HD-MS)
117441PR	<i>option</i>	C90 Integrator - Premium Resolution (720p60 / 1080p30 / UXGA)

Other Components

117250	TANDBERG Remote Control V
111022	4x Remote Control Battery LR03 AAA 1.5V Alkaline
	Complete Rackmount Kit for Codec
115259	2x Onmidirectional Microphone AT841UG w/cable (7.5m)

Documentation

116558	PrecisionHD 1080p Camera Installation Sheet
--------	---

Camera Cables

116638	HDMI cable 5m
116627	Camera Control Cable DB9 to RJ45 - 5m
116541	Precision HD daisy chain cable 6.5m

Audio/Video Cables

116639	HDMI to DVI-D adapter
116769	HDMI to HDMI cable (3m)

Network Cables

112083	Ethernet cable (5m)
116809	Codec C90 Installation Sheet

Power Cables *(for NA and Japan)*

117318	SA150B-12V, Power supply
112981	Pwr cable US 1.8m black YP-12 to YC-12
115127	Pwr cable Japan 1.8m black YP-12 to YC-12

[Index](#)

116800

TANDBERG Codec C90

TANDBERG



Part Number	Description
-------------	-------------

116800	TANDBERG Codec C90
--------	---------------------------

Main Components

116805 C90 Unit Codec

Software

S52000	<i>included</i>	SW for Codec - 10Mb total bandwidth / 6Mb max per call - includes 720p30
113891P001	<i>included</i>	Product ID for C90
116802NPP	<i>option</i>	C90 - Natural Presenter Package (NPP) - allows dual streams
116802MS	<i>option</i>	C90 - 4 Way 1080p30 / 720p60 Multisite (HD-MS)
116802PR	<i>option</i>	C90 - Premium Resolution (720p60 / 1080p30 / UXGA)

Other Components

117250 TANDBERG Remote Control V
 111022 4x Remote Control Battery LR03 AAA 1.5V Alkaline
 Complete Rackmount Kit for Codec

Documentation

116809 Codec C90 Installation Sheet

Audio/Video Cables

116769 HDMI to HDMI cable (3m)

Network Cables

112083 Ethernet cable (5m)

Power Cables (for NA and Japan)

112981 Pwr cable US 1.8m black YP-12 to YC-12
 115127 Pwr cable Japan 1.8m black YP-12 to YC-12

[Index](#)

117445

TANDBERG Integrator Package C60



TANDBERG

Part Number	Description
-------------	-------------

117445	TANDBERG Integrator Package C60
--------	--

Main Components

117205	C60 Unit Codec
116550S	PrecisionHD 1080p60 12X Camera - Silver
116611	Hood for Lens

Software

S52000	<i>included</i>	SW for Codec - 10Mb total bandwidth / 6Mb max per call - includes 720p30
113891P002	<i>included</i>	Product ID for C60
117446NPP	<i>option</i>	C60 Integrator - Natural Presenter Package (NPP) - allows dual streams
117446MS	<i>option</i>	C60 Integrator - 4 Way 720p30 Multisite (HD-MS)
117446PR	<i>option</i>	C60 Integrator - Premium Resolution (720p60 / 1080p30 / UXGA)

Other Components

117250	TANDBERG Remote Control V
111022	4x Remote Control Battery LR03 AAA 1.5V Alkaline
	Complete Rackmount Kit for Codec
115259	1x Onmidirectional Microphone AT841UG w/cable (7.5m)

Documentation

116558	PrecisionHD 1080p Camera Installation Sheet
--------	---

Camera Cables

116638	HDMI cable 5m
116627	Camera Control Cable DB9 to RJ45 - 5m
116541	Precision HD daisy chain cable 6.5m

Audio/Video Cables

116639	HDMI to DVI-D adapter
116769	HDMI to HDMI cable (3m)

Network Cables

112083	Ethernet cable (5m)
117209	Codec C60 Installation Sheet

Power Cables *(for NA and Japan)*

117318	SA150B-12V, Power supply
112981	Pwr cable US 1.8m black YP-12 to YC-12
115127	Pwr cable Japan 1.8m black YP-12 to YC-12

[Index](#)

117200

TANDBERG Codec C60

TANDBERG



Part Number	Description
-------------	-------------

117200	TANDBERG Codec C60
--------	---------------------------

Main Components

117205 C60 Unit Codec

Software

S52000	<i>included</i>	SW for Codec - 10Mb total bandwidth / 6Mb max per call - includes 720p30
113891P002	<i>included</i>	Product ID for C60
117202NPP	<i>option</i>	C60 - Natural Presenter Package (NPP) - allows dual streams
117202MS	<i>option</i>	C60 - 4 Way 720p30 Multisite (HD-MS)
117202PR	<i>option</i>	C60 - Premium Resolution (720p60 / 1080p30 / UXGA)

Other Components

117250 TANDBERG Remote Control V
 111022 4x Remote Control Battery LR03 AAA 1.5V Alkaline
 Complete Rackmount Kit for Codec

Documentation

117209 Codec C60 Installation Sheet

Audio/Video Cables

116769 HDMI to HDMI cable (3m)

Network Cables

112083 Ethernet cable (5m)

Power Cables (for NA and Japan)

112981 Pwr cable US 1.8m black YP-12 to YC-12
 115127 Pwr cable Japan 1.8m black YP-12 to YC-12

[Index](#)

117700
117780

TANDBERG Quickset C20
TANDBERG Quickset C20Plus



TANDBERG

Part Number	Description
-------------	-------------

117700	TANDBERG Quickset C20
--------	------------------------------

Main Components

117710	Quick Set C20 Standard Level
116550SO	PrecisionHD 1080p30 4X Camera - Silver
116611	Hood for Lens

Software

S52000	<i>included</i>	SW for Codec - 6Mb total bandwidth / 6Mb max per call - includes 720p30
113891P004	<i>included</i>	Product ID for C20
117703NPP	<i>included</i>	C20 - Natural Presenter Package (NPP) - allows dual streams
117703HD	<i>included</i>	C20 - High Definition (720p30 main / WXGA dual)
117703DD	<i>option</i>	C20 - Dual Display - turns on 2nd HDMI port
117703PR	<i>option</i>	C20 - Premium Resolution (1080p30 main stream)

Other Components

115562	Monitor Bracket for HD Camera
117250	TANDBERG Remote Control V
111022	4x Remote Control Battery LR03 AAA 1.5V Alkaline
118880	TPM 20 Mic with Mute button and 7.5m cable

Documentation

119833	Installation Sheet C20
--------	------------------------

Camera and Audio/Video Cables

116627	Camera Control Cable DB9 to RJ45 - 5m
116769	Qty 3 HDMI to HDMI cable 3m
115233	VGA to DVI-A cable for PC, with audio (mini-stereo to 2xRCA), 6m
117727	<i>optional</i> Diagnostic Y Cable for C20 (both camera and RS-232 control)

Network Cables

112083	Ethernet cable (5m)
--------	---------------------

Power Cables (for NA and Japan)

117666	Power supply 12VDC75W
--------	-----------------------

112981	Pwr cable US 1.8m black YP-12 to YC-12
115127	Pwr cable Japan 1.8m black YP-12 to YC-12

117780 TANDBERG Quickset C20Plus

Main Components

117781	Quick Set C20plus Standard Level
116550S	PrecisionHD 1080p60 12X Camera - Silver
116611	Hood for Lens

Software

S52000	<i>included</i>	SW for Codec - 6Mb total bandwidth / 6Mb max per call - includes 720p30
113891P004	<i>included</i>	Product ID for C20
117703NPP	<i>included</i>	C20 - Natural Presenter Package (NPP) - allows dual streams
117703HD	<i>included</i>	C20 - High Definition (720p30 main / WXGA dual)
117703DD	<i>option</i>	C20 - Dual Display - turns on 2nd HDMI port
117703PR	<i>option</i>	C20 - Premium Resolution (720p60 / 1080p30 main stream)

Other Components

115562	Monitor Bracket for HD Camera
117250	TANDBERG Remote Control V
111022	4x Remote Control Battery LR03 AAA 1.5V Alkaline
118880	TPM 20 Mic with Mute button and 7.5m cable

Documentation

119833	Installation Sheet C20
--------	------------------------

Camera and Audio/Video Cables

116627	Camera Control Cable DB9 to RJ45 - 5m
116769	Qty 3 HDMI to HDMI cable 3m
115233	VGA to DVI-A cable for PC, with audio (mini-stereo to 2xRCA), 6m
117727	<i>optional</i> Diagnostic Y Cable for C20 (both camera and RS-232 control)

Network Cables

112083	Ethernet cable (5m)
--------	---------------------

Power Cables (for NA and Japan)

117666	Power supply 12VDC75W
112981	Pwr cable US 1.8m black YP-12 to YC-12
115127	Pwr cable Japan 1.8m black YP-12 to YC-12

[Index](#)

116637

TANDBERG PrecisionHD 1080p60 12X Camera**TANDBERG**

Part Number	Description
-------------	-------------

116637	TANDBERG PrecisionHD 1080p60 12X Camera
--------	--

Components

116550S	PrecisionHD 1080p60 12X Camera - Silver
116611	Hood for Lens

Documentation

116558	TANDBERG PrecisionHD 1080p Camera Installation Sheet
--------	--

Camera Cables

116627	Camera Control Cable DB9 to RJ45 - 5m
116541	Precision HD daisy chain cable 6.5m

Audio/Video Cables

116638	HDMI Cable 5m
116639	HDMI - DVI-D adapter

Power Cables

117318	SA150B-12V, Power supply
112981	Pwr cable US 1.8m black YP-12 to YC-12
115127	Pwr cable Japan 1.8m black YP-12 to YC-12

[Index](#)

- 115730S2 **TANDBERG PrecisionHD Camera 720p60**
- 116719 Additional **TANDBERG PrecisionHD**
Camera for TANDBERG Video Switch



TANDBERG

Part Number	Description
-------------	-------------

115730S2	TANDBERG PrecisionHD Camera 720p60
----------	---

Components

114500S *720p60 - 7X zoom* TANDBERG Precision HD Camera Silver

Camera Cables

115418 HD Camera cable T3000, 2m
115420 HD Camera cable T6000, 2m

116719	Additional TANDBERG PrecisionHD Camera for TVS
--------	---

Camera Cables

116541 Precision HD daisy chain cable 6.5m

Audio/Video Cables

116721 HDMI-DVI cable, 6.5m
114500S *720p60 - 7X zoom* TANDBERG Precision HD Camera Silver

Power Cables (for NA and Japan)

117318 SA150B-12V, Power supply
112981 Pwr cable US 1.8m black YP-12 to YC-12
115127 Pwr cable Japan 1.8m black YP-12 to YC-12

[Index](#)

- 116460 **TANDBERG Video Switch**
- 116720 **TANDBERG PrecisionHD Camera and Video Switch package**

TANDBERG



Part Number	Description
-------------	-------------

116460	TANDBERG Video Switch
---------------	------------------------------

Components

- 115350 TANDBERG Remote Control IV
- 111022 4x Remote Control Battery LR03 AAA 1.5V Alkaline
- 116463 Rack Ear Right
- 116462 Rack Ear Left

Documentation

- 116467 TANDBERG Video Switch Installation Sheet

Camera Cables

- 115790 HD Camera Cable T6000 Profile 1meter
- 115791 HD Camera Cable T3000 Profile 1meter
- 116543 TVS to Precision HD cam cable 6.5m

Audio/Video Cables

- 116721 HDMI-DVI cable, 6.5m

Power Cables *(for NA and Japan)*

- 117318 SA150B-12V, Power supply
- 112981 Pwr cable US 1.8m black YP-12 to YC-12
- 115127 Pwr cable Japan 1.8m black YP-12 to YC-12

116720	TANDBERG Precision HD Camera and Video Switch package
---------------	--

CONTAINS ALL OF THE ITEMS LISTED ABOVE FOR 116460 TANDBERG Video Switch, plus the following:

Camera Cables

- 116541 Precision HD daisy chain cable 6.5m

Audio/Video Cables

- 116721 HDMI-DVI cable, 6.5m

114500S

TANDBERG Precision HD Camera Silver

Power Cables *(for NA and Japan)*

117318

SA150B-12V, Power supply

112981

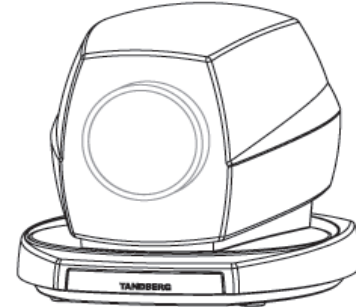
Pwr cable US 1.8m black YP-12 to YC-12

115127

Pwr cable Japan 1.8m black YP-12 to YC-12

[Index](#)

- 112500N **TANDBERG WAVE II Camera**
- 112670 Extra WAVE II Camera with 6.5m cable
- 112688 Extra WAVE II Camera with 20m cable



TANDBERG

Part Number	Description
-------------	-------------

112500N	TANDBERG WAVE II Camera
----------------	--------------------------------

Components

112500N TANDBERG WAVE II Camera NTSC

112670	Extra WAVE II Camera with 6.5m cable
---------------	---

Components

112500N TANDBERG WAVE II Camera NTSC

Camera Cables

- 112634 WAVE II Daisy-chain control cable, 6.5m
- 112635 Extra WAVE II camera S-Video cable, 6.5m
- 112636 Extra WAVE II camera comp. cable, 6.5m

Documentation

D13064 Extra WAVE II Installation Sheet

Power Cables

- 115623 SA150A-1240V-3 power supply
- 112981 Pwr cable US 1.8m black YP-12 to YC-12

112688	Extra WAVE II Camera with 20m cable
---------------	--

Components

112500N TANDBERG WAVE II Camera NTSC

Camera Cables

- 112637 WAVE II Daisy-chain control cable, 20m
- 112638 Extra WAVE II camera S-Video cable, 20m
- 112639 Extra WAVE II camera composite cable 20m

Documentation

D13064

Extra WAVE II Installation Sheet

Power cables

115623

SA150A-1240V-3 power supply

112981

Pwr cable US 1.8m black YP-12 to YC-12

[Index](#)

122070

TANDBERG Dual
Profile 65 w/C90



TANDBERG

Part Number	Description
-------------	-------------

122070	TANDBERG Dual Profile 65 w/C90
--------	--------------------------------

Main Components

117050C90	TANDBERG 65" Module Std Level w/C90
116805	C90 Unit Codec
116550G	PrecisionHD 1080p 12X Camera - Grey
116611	Hood for Lens
117030	DNAM for T1
118903	Speaker Module T1
117001	Qty 2 TANDBERG 65" LCD
117002	Qty 2 Bottom Module

Software

S52000	<i>included</i>	SW for Codec - 10Mb total bandwidth / 6Mb max per call - includes 720p30
113891P013	<i>included</i>	Product ID for Profile Dual 65
117642NPP	<i>included</i>	Dual Profile 65 - Natural Presenter Package (NPP)
117642MS	<i>option</i>	Dual Profile 65 - 4 Way 1080p30 Multisite (HD-MS)
117642PR	<i>option</i>	Dual Profile 65 - Premium Resolution (PR) (720p60 / 1080p30 / UXGA)

Other Components

117250	TANDBERG Remote Control V
111022	4x Remote Control Battery LR03 AAA 1.5V Alkaline
115260	Qty 4 Omnidirectional Microphone AT841UG

The primary bottom module includes the following:

117082	Camera cable assembly 2.5 m
119476	Cable 2x15p DSUB angled 0,2 m w/ marking
117084	Cable RCA - RCA 0,76 m w/labels
117087	Cable USB - 9p DSUB 1,0 m
119991	Cable DVI - HDMI 0,92 m w/labels
112735	Powerstrip Miniblock
115233	VGA to DVI-A cable for PC, with audio (mini-stereo to 2xRCA), 6m
115261	Qty 4 Mic cable 7.5m

Mounting Kit Options

One of these must be specified at time of order - make sure to order QTY 2

120048 TANDBERG Floor Stand kit for Profile 65" single and 65" dual
120049 TANDBERG Wall Mount Kit for Profile 65" single and 65" dual

Documentation

114846 Registration Card
117098 Installation Sheet Profile 65

Network Cables

112083 Ethernet cable (5m)

Power Cables *(for NA and Japan)*

118528 Cable Pwr US YP-12 to YC12 1,8m
118530 Cable Pwr JPN YP12 to YC12 1,8m

[Index](#)

122050

TANDBERG Profile 65 w/C60



Part Number	Description
-------------	-------------

122050	TANDBERG Profile 65 w/C60
--------	----------------------------------

Main Components

117050C60	TANDBERG 65" Module Std Level w/C60
117205	C60 Unit Codec
116550G	PrecisionHD 1080p 12X Camera - Grey
116611	Hood for Lens
117030	DNAM for T1
118903	Speaker Module T1
117001	TANDBERG 65" LCD
117002	Bottom Module

Software

S52000	<i>included</i>	SW for Codec - 10Mb total bandwidth / 6Mb max per call - includes 720p30
113891P015	<i>included</i>	Product ID for Profile 65 C60
117641NPP	<i>included</i>	Profile 65 - Natural Presenter Package (NPP)
117641MS	<i>option</i>	Profile 65 - 4 Way 720p30 Multisite (HD-MS)
117641PR	<i>option</i>	Profile 65 - Premium Resolution (PR) (720p60 / 1080p30 / UXGA)

Other Components

117250	TANDBERG Remote Control V
111022	4x Remote Control Battery LR03 AAA 1.5V Alkaline
115260	Qty 3 Omnidirectional Microphone AT841UG

The bottom module includes the following:

117082	Camera cable assembly 2.5 m
119476	Cable 2x15p DSUB angled 0,2 m w/ marking
117084	Cable RCA - RCA 0,76 m w/labels
117087	Cable USB - 9p DSUB 1,0 m
119991	Cable DVI - HDMI 0,92 m w/labels
112735	Powerstrip Miniblock
115233	VGA to DVI-A cable for PC, with audio (mini-stereo to 2xRCA), 6m
115261	Qty 3 Mic cable 7.5m

Mounting Kit Options

One of these must be specified at time of order

120048 TANDBERG Floor Stand kit for Profile 65" single and 65" dual
120049 TANDBERG Wall Mount Kit for Profile 65" single and 65" dual

Documentation

114846 Registration Card
117098 Installation Sheet Profile 65

Network Cables

112083 Ethernet cable (5m)

Power Cables *(for NA and Japan)*

118528 Cable Pwr US YP-12 to YC12 1,8m
118530 Cable Pwr JPN YP12 to YC12 1,8m

[Index](#)

118950

TANDBERG Profile Dual 52 w/C60



Part Number	Description
-------------	-------------

118950	TANDBERG Profile Dual 52 w/C60
--------	--------------------------------

Main Components

117325	TAA Profile 52" Dual C60 Std Level
117205	C60 Unit Codec
116550SA	PrecisionHD 1080p 12X Camera - Silver Aquarius
116611	Hood for Lens
	2X TANDBERG 52" LCD

Mounting Kit Options

Specify when ordering

118931	Floor Stand Kit for Profile 52" dual screen
118932	Wall Mount Kit for Profile 52" dual screen

Software

S52000	<i>included</i>	SW for Codec - 10Mb total bandwidth / 6Mb max per call - includes 720p30
113891P009	<i>included</i>	Product ID for Profile Dual 52 w/C60
119176NPP	<i>included</i>	Profile Dual 52 - Natural Presenter Package (NPP)
119176MS	<i>option</i>	Profile Dual 52 - 4 Way 720p30 Multisite (HD-MS)
119176PR	<i>option</i>	Profile Dual 52 - Premium Resolution (PR) (720p60 / 1080p30 / UXGA)

Other Components

117250	TANDBERG Remote Control V
111022	4x Remote Control Battery LR03 AAA 1.5V Alkaline
115260	Qty 4 Onmidirectional Microphone AT841UG

The base assembly includes the following:

117328	Column assembly Profile Dual 52"
117388	DNAM II
119118	Cable for HD Camera 2.9m
119119	HDMI-HDMI cable 3.3m
119271	HDMI - HDMI cable, 1.9 m
115261	Mic cable 7.5m
119117	DVI - HDMI cable, 2.3m
118220	RCA - RCA Audio Cable, 1.3m
119116	Audio Cable DNAM - Dual Monitor, 1.3m

115233 VGA to DVI-A cable for PC, with audio (mini-stereo to 2xRCA), 6m
112735 Powerstrip Miniblock

Documentation

119145 Installation Sheet Profile Dual 52

Network Cables

112083 Ethernet cable (5m)

Power Cables *(for NA and Japan)*

118528 Pwr cable US 1.8m black YP-12 to YC-12

118530 Pwr cable Japan 1.8m black YP-12 to YC-12

[Index](#)

117395

TANDBERG Profile 52 w/C60



TANDBERG

Part Number	Description
-------------	-------------

117395	TANDBERG Profile 52 w/C60
--------	---------------------------

Main Components

117324	TANDBERG Profile 52" with C60 Std Level
117205	C60 Unit Codec
116550SA	PrecisionHD 1080p 12X Camera - Silver Aquarius
116611	Hood for Lens TANDBERG 52" LCD

Mounting Kit Options

Specify when ordering

117330	Wall Mount Kit for Profile 42" and 52" single screen
117332	Floor Stand Kit for Profile 42" and 52" single screen
117333	Wheel Base Kit for Profile 42" and 52" single screen

Software

S52000	<i>included</i>	SW for Codec - 10Mb total bandwidth / 6Mb max per call - includes 720p30
113891P007	<i>included</i>	Product ID for Profile 52 w/C60
119175NPP	<i>included</i>	Profile 52 w/C60 - Natural Presenter Package (NPP)
119175MS	<i>option</i>	Profile 52 w/C60 - 4 Way 720p30 Multisite (HD-MS)
119175PR	<i>option</i>	Profile 52 w/C60 - Premium Resolution (PR) (720p60 / 1080p30 / UXGA)

Other Components

117250	TANDBERG Remote Control V
111022	4x Remote Control Battery LR03 AAA 1.5V Alkaline
115260	Qty 3 Onmidirectional Microphone AT841UG

The base assembly includes the following:

117327	Column assembly Profile 52" w/C60
117388	DNAM II
117082	Camera cable assembly 2.5m
115261	Qty 3 Mic cable 7.5m
118219	DVI - HDMI cable, 1.55m
118220	RCA - RCA Audio Cable, 1.3m
118221	Audio Cable DNAM - Monitor, 0.75m
115233	VGA to DVI-A cable for PC, with audio (mini-stereo to 2xRCA), 6m

112735 Powerstrip Miniblock

Documentation

119120 Installation Sheet Profile 42 and 52

Network Cables

112083 Ethernet cable (5m)

Power Cables *(for NA and Japan)*

112981 Pwr cable US 1.8m black YP-12 to YC-12

115127 Pwr cable Japan 1.8m black YP-12 to YC-12

[Index](#)

118945

TANDBERG Profile 42 w/C60



TANDBERG

Part Number	Description
-------------	-------------

118945	TANDBERG Profile 42 w/C60
--------	---------------------------

Main Components

117323	TANDBERG Profile 42" with C60 Std level
117205	C60 Unit Codec
116550SA	PrecisionHD 1080p 12X Camera - Silver Aquarius
116611	Hood for Lens TANDBERG 42" LCD

Mounting Kit Options

Specify when ordering

117330	Wall Mount Kit for Profile 42" and 52" single screen
117332	Floor Stand Kit for Profile 42" and 52" single screen
117333	Wheel Base Kit for Profile 42" and 52" single screen

Software

S52000	<i>included</i>	SW for Codec - 10Mb total bandwidth / 6Mb max per call - includes 720p30
113891P008	<i>included</i>	Product ID for Profile 42 w/C60
117640NPP	<i>included</i>	Profile 42 w/C60 - Natural Presenter Package (NPP)
119174MS	<i>option</i>	Profile 42 w/C60 - 4 Way 720p30 Multisite (HD-MS)
119174PR	<i>option</i>	Profile 42 w/C60 - Premium Resolution (PR) (720p60 / 1080p30 / UXGA)

Other Components

117250	TANDBERG Remote Control V
111022	4x Remote Control Battery LR03 AAA 1.5V Alkaline
115260	Qty 2 Onmidirectional Microphone AT841UG

The base assembly includes the following:

117327	Column assembly Profile 52" w/C60
117388	DNAM II
117082	Camera cable assembly 2.5m
115261	Qty 2 Mic cable 7.5m
118219	DVI - HDMI cable, 1.55m
118220	RCA - RCA Audio Cable, 1.3m
118221	Audio Cable DNAM - Monitor, 0.75m
115233	VGA to DVI-A cable for PC, with audio (mini-stereo to 2xRCA), 6m

112735 Powerstrip Miniblock

Documentation

119120 Installation Sheet Profile 42 and 52

Network Cables

112083 Ethernet cable (5m)

Power Cables *(for NA and Japan)*

112981 Pwr cable US 1.8m black YP-12 to YC-12

115127 Pwr cable Japan 1.8m black YP-12 to YC-12

[Index](#)

117800

TANDBERG Profile 42 w/C20



TANDBERG

Part Number	Description
-------------	-------------

117800	TANDBERG Profile 42 w/C20
--------	----------------------------------

Main Components

120095	TANDBERG Profile 42" with C20 Std level
117720	C20 Unit
116550SA	PrecisionHD 1080p 12X Camera - Silver Aquarius
116611	Hood for Lens TANDBERG 42" LCD

Mounting Kit Options

Specify when ordering

117330	Wall Mount Kit for Profile 42" and 52" single screen
117332	Floor Stand Kit for Profile 42" and 52" single screen
117333	Wheel Base Kit for Profile 42" and 52" single screen

Software

S52000	<i>included</i>	SW for Codec - 10Mb total bandwidth / 6Mb max per call - includes 720p30
113891P014	<i>included</i>	Product ID for Profile 42 w/C20
117640NPP	<i>included</i>	Profile 42 w/C60 - Natural Presenter Package (NPP)
117640HD	<i>included</i>	Profile 42 w/C20 - High Definition (720p30 main / WXGA dual)
117640PR	<i>option</i>	Profile 42 w/C20 - Dual Display - turns on 2nd HDMI port
117640DD	<i>option</i>	Profile 42 w/C20 - Premium Res (PR) (720p60 / 1080p30 main stream)

Other Components

117250	TANDBERG Remote Control V
111022	4x Remote Control Battery LR03 AAA 1.5V Alkaline
118881	Qty 2 TANDBERG Performance Mic 20 w/attached 7.5m cable

The base assembly includes the following:

120094	Column assembly Profile 42" w/C20
117388	DNAM II
113053	Cable for HD Camera, 2.15m
118218	HDMI - HDMI cable, 2.6m
119271	HDMI - HDMI cable, 1.9 m
118220	RCA - RCA Audio Cable, 1.3m
115233	VGA to DVI-A cable for PC, with audio (mini-stereo to 2xRCA), 6m

117666 Power supply (FSP075-DMAA1)

Documentation

119782 Microphone Installation Guide

Network Cables

112083 Ethernet cable (5m)

Power Cables *(for NA and Japan)*

112981 Pwr cable US 1.8m black YP-12 to YC-12

115127 Pwr cable Japan 1.8m black YP-12 to YC-12

[Index](#)

118955 **TANDBERG Profile Dual 52 w/6000MXP**



Part Number	Description
-------------	-------------

118955	TANDBERG Profile Dual 52 w/6000 MXP
--------	--

Main Components

118933	TAA Profile 52" Dual MXP Std Level
113200T1	Unit Codec 6000 MXP
114500S	TANDBERG Precision HD Camera Silver 2X TANDBERG 52" LCD

Mounting Kit Options

118931	<i>Specify when ordering</i> Floor Stand Kit for Profile 52" dual screen
118932	Wall Mount Kit for Profile 52" dual screen

Software

S50000	<i>included</i>	SW PAL/NTSC for MXP
11389029	<i>included</i>	Product ID for Profile Dual 52 w/6000 MXP
1191782	<i>included</i>	6000 MXP - 768kbps ISDN/Ext.Net / 3Mbps IP Bandwidth
120060NPP	<i>option</i>	Profile Dual 52 w/6KMXP - Natural Presenter Package (NPP)
120060MS	<i>option</i>	Profile Dual 52 w/6KMXP - 4 Way 720p30 Multisite (HD-MS)
1200613	<i>option</i>	Profile Dual 52 w/6KMXP - 2 Mbps ISDN/Ext.Net / 6 Mbps IP

Other Components

115350	TANDBERG Remote Control IV
111022	4x Remote Control Battery LR03 AAA 1.5V Alkaline
115260	Qty 4 Onmidirectional Microphone AT841UG

The base assembly includes the following:

118996	Column assembly Profile Dual 52" MXP
117388	DNAM II
119118	Cable for HD Camera 2.9m
115261	Qty 4 Mic cable 7.5m
119117	DVI - HDMI cable, 2.3m
118220	RCA - RCA Audio Cable, 1.3m
119116	Audio Cable DNAM - Dual Monitor, 1.3m
115233	VGA to DVI-A cable for PC, with audio (mini-stereo to 2xRCA), 6m
112735	Powerstrip Miniblock

Documentation

119146

Installation Sheet Profile Dual 52 MXP

Network Cables

112083

Ethernet cable (5m)

Power Cables *(for NA and Japan)*

118528

Pwr cable US 1.8m black YP-12 to YC-12

118530

Pwr cable Japan 1.8m black YP-12 to YC-12

[Index](#)

118935 **TANDBERG Profile 52 w/6000 MXP**



TANDBERG

Part Number	Description
-------------	-------------

118935	TANDBERG Profile 52 w/6000 MXP
--------	---------------------------------------

Main Components

118928	TANDBERG Profile 52" w/6000MXP Std Level
113200T1	Unit Codec 6000 MXP
114500S	TANDBERG Precision HD Camera Silver TANDBERG 52" LCD

Mounting Kit Options

	<i>Specify when ordering</i>
117330	Wall Mount Kit for Profile 42" and 52" single screen
117332	Floor Stand Kit for Profile 42" and 52" single screen
117333	Wheel Base Kit for Profile 42" and 52" single screen

Software

S50000	<i>included</i>	SW PAL/NTSC for MXP
11389028	<i>included</i>	Product ID for Profile 52 w/6KMXP
1191782	<i>included</i>	6000 MXP - 768kbps ISDN/Ext.Net / 3Mbps IP Bandwidth
119177NPP	<i>option</i>	Profile 52 w/6KMXP - Natural Presenter Package (NPP)
119177MS	<i>option</i>	Profile 52 w/6KMXP - 4 Way 720p30 Multisite (HD-MS)
1191783	<i>option</i>	Profile 52 w/6KMXP - 2 Mbps ISDN/Ext.Net / 6 Mbps IP

Other Components

115350	TANDBERG Remote Control IV
111022	4x Remote Control Battery LR03 AAA 1.5V Alkaline
115260	Qty 3 Onmidirectional Microphone AT841UG

The base assembly includes the following:

118998	Column Assembly Profile 52 w/6000 MXP
117388	DNAM II
113053	Cable for HD Camera, 2.15m
115261	Qty 3 Mic cable 7.5m
118219	DVI - HDMI cable, 1.55m
118220	RCA - RCA Audio Cable, 1.3m
118221	Audio Cable DNAM - Monitor, 0.75m

115233 VGA to DVI-A cable for PC, with audio (mini-stereo to 2xRCA), 6m
112735 Powerstrip Miniblock

Documentation

119120 Installation Sheet Profile 42" and 52"

Network Cables

112083 Ethernet cable (5m)

Power Cables *(for NA and Japan)*

112981 Pwr cable US 1.8m black YP-12 to YC-12

115127 Pwr cable Japan 1.8m black YP-12 to YC-12

[Index](#)

115860 **TANDBERG Profile 3000 MXP 42"LCD**



TANDBERG

Part Number	Description
-------------	-------------

115880	TANDBERG Profile 3000 MXP 42" LCD
--------	--

Main Components

115845V42	T3000 Profile Std. level 42
113550FULL	Unit Codec 3000 MXP Full
114500S	TANDBERG Precision HD Camera Silver Digital Natural Audio Module TANDBERG 42" LCD

Software

S50000	<i>included</i>	SW PAL/NTSC for MXP
11389019	<i>included</i>	Product ID for Profile 3000 MXP
1138311	<i>included</i>	Profile 3000 MXP - 384kbps ISDN / 1.5Mbps IP Bandwidth
113821NPP	<i>option</i>	Profile 3000 MXP - Natural Presenter Package (NPP)
113821MS	<i>option</i>	Profile 3000 MXP - 4-way MultiSite (MS) (Requires NPP)
1138312	<i>option</i>	Profile 3000 MXP - 512kbps ISDN / 2Mbps IP Bandwidth

Other Components

115350	TANDBERG Remote Control IV
111022	4x Remote Control Battery LR03 AAA 1.5V Alkaline
115258	TANDBERG AT871UG Unidirectional Table Mic with 7.5m cable
115074	<i>option</i> Wheel Base option for TANDBERG 3000 MXP Profile Single 42"

The base assembly includes the following:

114200	Foot Assembly
114253	Column Assembly
112836	Audio cable phono-phono, 1.5m
112735	Powerstrip Miniblock
117318	SA150B-12V, Power supply
115233	VGA to DVI-A cable for PC, with audio (mini-stereo to 2xRCA), 6m
115791	HD Camera Cable T3000 Profile 1meter

Documentation

113167	TANDBERG Video Systems User Manual CDROM
114846	Registration Card

Network Cables

112083	Ethernet cable (5m)
114823	ISDN cables bundled (4x)
D13728	InstallationSheet T3000/6000 MXP Profile

Power Cables *(for NA and Japan)*

112981	Pwr cable US 1.8m black YP-12 to YC-12
115127	Pwr cable Japan 1.8m black YP-12 to YC-12

[Index](#)

115920

TANDBERG 6000 MXP Integrator Package



TANDBERG

Part Number	Description
-------------	-------------

115920	TANDBERG 6000 MXP Integrator Package
--------	---

Main Components

113200T1	TANDBERG Unit Codec 6000 MXP
114500S	TANDBERG Precision HD Camera Silver

Software

S50000	<i>included</i>	SW PAL/NTSC for MXP
11389004	<i>included</i>	Product ID for 6000 MXP Codec
1138163	<i>included</i>	6000 MXP HD Integrator Pack - 2M/4M/6M Bandwidth
113816NPP	<i>option</i>	6000 MXP HD Integrator Pack - Natural Presenter Package (NPP)
113816MS	<i>option</i>	6000 MXP HD Integrator Pack - 6-way Multisite (MS) (Requires NPP)

Other Components

115350	TANDBERG Remote Control IV
111022	4x Remote Control Battery LR03 AAA 1.5V Alkaline
113218	2x Rack Ear Codec Short
115258	2x TANDBERG AT871UG Unidirectional Table Mic with 7.5m cable
1116691	2x TANDBERG Tracker

Documentation

113167	TANDBERG Video Systems User Manual CDROM
114846	Registration Card
116173	Installation Sheet Precision HD Ext Cable

Camera Cables

115420	HD Camera cable T6000, 2m
115421	HD Camera cable T6000, 5m
115999	3x TANDBERG Precision HD Ext Cable - 6.5m

Audio/Video Cables

111816	S-video cable, mDIN-mDIN 2m, no label
112837	Audio cable phono-2xphono 1.5m
113435	VGA to DVI-A cable, male/male 5m black
115389	Cable Audio/Video phono-phono 1.5m

Network Cables

111888	T1/PRI Cable (5m)
112083	Ethernet cable (5m)
111890M1-M6	6xISDN cables (5m)
D11765	Tracker/Voice Act Cam. Pos- User Guide

Power Cables *(for NA and Japan)*

117318	SA150B-12V, Power supply
112980	Pwr cable 1.8m black, YP-32 to YC-12
112981	2x Pwr cable US 1.8m black YP-12 to YC-12
115127	2x Pwr cable Japan 1.8m black YP-12 to YC-12

[Index](#)

113545

TANDBERG 6000 MXP Codec

TANDBERG



Part Number	Description
-------------	-------------

113545	TANDBERG 6000 MXP Codec
--------	--------------------------------

Main Components

113200T1 TANDBERG Unit Codec 6000 MXP

Software

S50000	<i>included</i>	SW PAL/NTSC for MXP
11389004	<i>included</i>	Product ID for 6000 MXP Codec
113828NPP	<i>option</i>	6000 MXP Codec - Natural Presenter Package (NPP)
113828MS	<i>option</i>	6000 MXP Codec - MultiSite (MS) (Requires NPP) (6-site requires 1138563)
1138562	<i>option</i>	6000 MXP Codec - 768 kbps ISDN/Ext.Net / 3 Mbps IP Bandwidth
1138563	<i>option</i>	6000 MXP Codec - 2 Mbps ISDN/Ext.Net / 6 Mbps IP Option

Other Components

115350	TANDBERG Remote Control IV
111022	4x Remote Control Battery LR03 AAA 1.5V Alkaline
113218	2x Rack Ear Codec Short

Documentation

113167 TANDBERG Video Systems User Manual CDROM

Audio/Video Cables

113435 VGA to DVI-A cable, male/male 5m black

Network Cables

111888	T1/PRI Cable (5m)
112083	Ethernet cable (5m)
111890M1-M6	6xISDN cables (5m)
114846	Registration Card

Power Cables (for NA and Japan)

112980	Pwr cable 1.8m black, YP-32 to YC-12
112981	Pwr cable US 1.8m black YP-12 to YC-12
115127	Pwr cable Japan 1.8m black YP-12 to YC-12

[Index](#)

115925

TANDBERG 3000 MXP Integrator Package



TANDBERG

Part Number	Description
-------------	-------------

115925	TANDBERG 3000 MXP Integrator Package
--------	---

Main Components

113550FULL	Unit Codec 3000 MXP Full
114500S	TANDBERG Precision HD Camera Silver

Software

S50000	<i>included</i>	SW PAL/NTSC for MXP
11389008	<i>included</i>	Product ID for 3000 MXP Codec
1138172	<i>included</i>	3000 MXP Integrator Pack - 512/2M Software
113817NPP	<i>option</i>	3000 MXP Integrator Pack - Natural Presenter Package (NPP)
113817MS	<i>option</i>	3000 MXP Integrator Pack - 4-way Multisite (MS) (Requires NPP)

Other Components

115350	TANDBERG Remote Control IV
111022	4x Remote Control Battery LR03 AAA 1.5V Alkaline
113561	Rack Ear left
113562	Rack Ear right
115258	TANDBERG AT871UG Unidirectional Table Mic with 7.5m cable
1116691	TANDBERG Tracker

Documentation

113167	TANDBERG Video Systems User Manual CDROM
114846	Registration Card
116173	Installation Sheet Precision HD Ext Cable

Camera Cables

115418	HD Camera cable T3000, 2m
115419	HD Camera cable T3000, 5m
115999	3x TANDBERG Precision HD Ext Cable - 6.5m

Audio/Video Cables

111816	S-video cable, mDIN-mDIN 2m, no label
112837	Audio cable phono-2xphono 1.5m
113435	VGA to DVI-A cable, male/male 5m black

115389 Cable Audio/Video phono-phono 1.5m

Network Cables

112083 Ethernet cable (5m)

111890M1-M4 4x ISDN cables (5m)

D11765 Tracker/Voice Act Cam. Pos- User Guide

Power Cables *(for NA and Japan)*

117318 2x SA150B-12V, Power supply

112981 2x Pwr cable US 1.8m black YP-12 to YC-12

115127 2x Pwr cable Japan 1.8m black YP-12 to YC-12

[Index](#)

- 113727 **TANDBERG 3000 MXP Codec**
- 114143 **TANDBERG 3000 MXP V.35 Codec**

TANDBERG



Part Number	Description
-------------	-------------

113727	TANDBERG 3000 MXP Codec
--------	--------------------------------

Main Components

113550FULL Unit Codec 3000 MXP Full

Software

S50000	<i>included</i>	SW PAL/NTSC for MXP
11389008	<i>included</i>	Product ID for 3000 MXP Codec
1138591	<i>included</i>	3000 MXP Codec - 384kbps ISDN / 1.5Mbps IP Bandwidth
1138592	<i>option</i>	3000 MXP Codec - 512kbps ISDN / 2Mbps IP Bandwidth
113855NPP	<i>option</i>	3000 MXP Codec - Natural Presenter Package (NPP)
113855MS	<i>option</i>	3000 MXP Codec - 4-way MultiSite (MS) (Requires NPP)

Other Components

115350	TANDBERG Remote Control IV
111022	4x Remote Control Battery LR03 AAA 1.5V Alkaline
113561	Rack Ear left
113562	Rack Ear right

Documentation

113167	TANDBERG Video Systems User Manual CDROM
114846	Registration Card

Camera Cables

115231	3000MXP Breakout Cable for 3rd Party Cameras
--------	--

Audio/Video Cables

113435	VGA to DVI-A cable, male/male 5m black
--------	--

Network Cables

112083	Ethernet cable (5m)
111890M1-M4	4x ISDN cables (5m)

Power Cables (for NA and Japan)

117318	SA150B-12V, Power supply
--------	--------------------------

112981	Pwr cable US 1.8m black YP-12 to YC-12
115127	Pwr cable Japan 1.8m black YP-12 to YC-12

114143 TANDBERG 3000 MXP V.35 Codec

Main Components

113550NET	Unit Codec 3000 MXP Net
-----------	-------------------------

Software

S50000	<i>included</i>	SW PAL/NTSC for MXP
11389008	<i>included</i>	Product ID for 3000 MXP Codec
1138594	<i>included</i>	3000 MXP V.35 Codec - 384 kbps V35 / 2 Mbps IP
114455NPP	<i>option</i>	3000 MXP V.35 Codec - Natural Presenter Package (NPP)
114455MS	<i>option</i>	3000 MXP V.35 Codec - 4-way MultiSite (MS) (Requires NPP)

Other Components

115350	TANDBERG Remote Control IV
111022	4x Remote Control Battery LR03 AAA 1.5V Alkaline
113561	Rack Ear left
113562	Rack Ear right

Documentation

113167	TANDBERG Video Systems User Manual CDROM
--------	--

Audio/Video Cables

113435	VGA to DVI-A cable, male/male 5m black
--------	--

Network Cables

112083	Ethernet cable (5m)
114846	Registration Card

Power cables

117318	SA150B-12V, Power supply
112981	Pwr cable US 1.8m black YP-12 to YC-12
115127	Pwr cable Japan 1.8m black YP-12 to YC-12

[Index](#)

- 114151 **TANDBERG Tactical MXP**
- 114150 **TANDBERG Tactical MXP V.35**



TANDBERG

Part Number	Description
-------------	-------------

114151	TANDBERG Tactical MXP
---------------	------------------------------

Main Components

- | | |
|------------|--|
| 114153N | Tactical MXP Unit ISDN NTSC w/15.4" LCD Monitor |
| 113550FULL | Unit Codec 3000 MXP Full |
| 114157 | TANDBERG Case Tactical MXP w/embedded mic and spkrs |
| 114161N | Tactical MXP Camera w/4mm lens
TANDBERG Remote Control III Embedded |

Software

- | | | |
|-----------|-----------------|---|
| S50000 | <i>included</i> | SW PAL/NTSC for MXP |
| 11389017 | <i>included</i> | Product ID for Tactical MXP |
| 1144891 | <i>included</i> | Tactical MXP 384/1.5M sw option |
| 1144892 | <i>option</i> | TANDBERG Tactical MXP 512 kbps ISDN/2 Mbps IP |
| 114487NPP | <i>option</i> | TANDBERG Tactical MXP Natural Presenter Package (NPP) |
| 114487MS | <i>option</i> | TANDBERG Tactical MXP MultiSite (MS) (Requires NPP) |

Tactical MXP Accessories Kit

- | | |
|--------|--|
| 112083 | Ethernet Cable (5m) |
| D13751 | Tactical MXP - Installation sheet |
| 117160 | AC adapter FSP050-1AD101C |
| 113167 | TANDBERG Video Systems User Manual CDROM |
| 115350 | TANDBERG Remote Control IV |
| 111022 | 4x Remote Control Battery LR03 AAA 1.5V Alkaline |
| 112981 | Pwr cable US 1.8m black YP-12 to YC-12 |
| 115127 | Pwr cable Japan 1.8m w/label YP12/YC12 |
| 113436 | VGA to DVI-A cable, male/male 1.5m black |
| 114378 | Shoulder strap |
| 114394 | Headset logitech |
| 114475 | DC Adapter LPS |
| 113167 | TANDBERG Video Systems User Manual CDROM |
| 114846 | Registration Card |

Network Cables

- | | |
|-------------|---------------------|
| 111890M1-M4 | 4x ISDN cables (5m) |
|-------------|---------------------|

Main Components

114152N	Tactical MXP Unit V.35 NTSC w/15.4" LCD Monitor
113550NET	Unit Codec 3000 MXP Net
114157	TANDBERG Case Tactical MXP w/embedded mic and spkrs
114161N	Tactical MXP Camera w/4mm lens

Software

S50000	<i>included</i>	SW PAL/NTSC for MXP
11389017	<i>included</i>	Product ID for Tactical MXP
1144894	<i>included</i>	Tactical MXP 384 V35/2M IP sw option
114488NPP	<i>option</i>	TANDBERG Tactical MXP V.35 Natural Presenter Package (NPP)
114488MS	<i>option</i>	TANDBERG Tactical MXP V.35 MultiSite (MS) (Requires NPP)

Tactical MXP Accessories Kit

112083	Ethernet Cable (5m)
D13751	Tactical MXP - Installation sheet
117160	AC adapter FSP050-1AD101C
113167	TANDBERG Video Systems User Manual CDROM
115350	TANDBERG Remote Control IV
111022	4x Remote Control Battery LR03 AAA 1.5V Alkaline
112981	Pwr cable US 1.8m black YP-12 to YC-12
115127	Pwr cable Japan 1.8m w/label YP12/YC12
113436	VGA to DVI-A cable, male/male 1.5m black
114378	Shoulder strap
114394	Headset logitech
114475	DC Adapter LPS
113167	TANDBERG Video Systems User Manual CDROM
114846	Registration Card

[Index](#)

115590

TANDBERG Edge 95 MXP



TANDBERG

Part Number	Description
-------------	-------------

115590	TANDBERG Edge 95 MXP
--------	-----------------------------

Main Components

115560	TANDBERG Edge Codec
114500S	TANDBERG Precision HD Camera Silver

Software

S50000	<i>included</i>	SW PAL/NTSC for MXP
11389024	<i>included</i>	Product ID for Edge 95
1155971	<i>included</i>	Edge 95 MXP - 2Mbps IP-only Bandwidth (2304kbps)
115594NPP	<i>option</i>	Edge 95 MXP - Natural Presenter Package (NPP)
115594MS	<i>option</i>	Edge 95 MXP - 4-way MultiSite (MS) (Requires NPP)
1155972	<i>option</i>	Edge 95 MXP - 512 kbps ISDN Bandwidth

Other Components

115562	Monitor Bracket for HD Camera
117121	Bracket Wallmount side
115350	TANDBERG Remote Control IV
111022	4x Remote Control Battery LR03 AAA 1.5V Alkaline
115258	TANDBERG AT871UG Unidirectional Table Mic with 7.5m cable

Documentation

113167	TANDBERG Video Systems User Manual CDROM
114846	Registration Card
D13922	Installation Sheet TANDBERG Edge MXP

Camera Cables

115418	HD Camera cable T3000, 2m
115419	HD Camera cable T3000, 5m

Audio/Video Cables

112306	Scart Adapter S-Video
115233	VGA to DVI-A cable for PC, with audio (mini-stereo to 2xRCA), 6m
115389	Cable Audio/Video phono-phono 1.5m
117122	DVI-I to HDMI adapter

117135	DVI-I to DVI-I, male/male 5m, black
117137	DVI-A to VGA adapter
117138	2x RCA to 3.5mm Stereo Jack adapter
117298	Audio Cable, phono-2xphono (5m)
117299	S-video cable, mDIN-mDIN 5m, no label

Network Cables

114823	ISDN cables bundled (4x)
112083	Ethernet cable (5m)

Power Cables *(for NA and Japan)*

117318	SA150B-12V, Power supply
112981	Pwr cable US 1.8m black YP-12 to YC-12
115127	Pwr cable Japan 1.8m black YP-12 to YC-12

[Index](#)

115580

TANDBERG Edge 85 MXP



TANDBERG

Part Number	Description
-------------	-------------

115580	TANDBERG Edge 85 MXP
--------	-----------------------------

Main Components

115560	TANDBERG Edge Codec
114500S	TANDBERG Precision HD Camera Silver

Software

S50000	<i>included</i>	SW PAL/NTSC for MXP
11389023	<i>included</i>	Product ID for Edge 85
1155981	<i>included</i>	Edge 85 MXP - 1.1Mbps IP-only Bandwidth
115595NPP	<i>option</i>	Edge 85 MXP - Natural Presenter Package (NPP)
115595MS	<i>option</i>	Edge 85 MXP - 4-way MultiSite (MS) (Requires NPP)
1155982	<i>option</i>	Edge 85 MXP - 384kbps ISDN Bandwidth

Other Components

115562	Monitor Bracket for HD Camera
117121	Bracket Wallmount side
115350	TANDBERG Remote Control IV
111022	4x Remote Control Battery LR03 AAA 1.5V Alkaline
115258	TANDBERG AT871UG Unidirectional Table Mic with 7.5m cable

Documentation

113167	TANDBERG Video Systems User Manual CDROM
114846	Registration Card
D13922	Installation Sheet TANDBERG Edge MXP

Camera Cables

115418	HD Camera cable T3000, 2m
115419	HD Camera cable T3000, 5m

Audio/Video Cables

112306	Scart Adapter S-Video
115233	VGA to DVI-A cable for PC, with audio (mini-stereo to 2xRCA), 6m
115389	Cable Audio/Video phono-phono 1.5m
117122	DVI-I to HDMI adapter

117135	DVI-I to DVI-I, male/male 5m, black
117137	DVI-A to VGA adapter
117138	2x RCA to 3.5mm Stereo Jack adapter
117298	Audio Cable, phono-2xphono (5m)
117299	S-video cable, mDIN-mDIN 5m, no label

Network Cables

114823	ISDN cables bundled (4x)
112083	Ethernet cable (5m)

Power Cables *(for NA and Japan)*

117318	SA150B-12V, Power supply
112981	Pwr cable US 1.8m black YP-12 to YC-12
115127	Pwr cable Japan 1.8m black YP-12 to YC-12

[Index](#)

115570

TANDBERG Edge 75 MXP



TANDBERG

Part Number	Description
-------------	-------------

115570	TANDBERG Edge 75 MXP
--------	-----------------------------

Main Components

- 115560 TANDBERG Edge Codec
- 114500S TANDBERG Precision HD Camera Silver

Software

- S50000 *included* SW PAL/NTSC for MXP
- 11389022 *included* Product ID for Edge 75
- 1155991 *included* Edge 75 MXP - 768kbps IP-only Bandwidth
- 115596NPP *option* Edge 75 MXP - Natural Presenter Package (NPP)
- 1155992 *option* Edge 75 MXP - 128kbps ISDN Bandwidth

Other Components

- 115562 Monitor Bracket for HD Camera
- 117121 Bracket Wallmount side
- 115350 TANDBERG Remote Control IV
- 111022 4x Remote Control Battery LR03 AAA 1.5V Alkaline
- 115258 TANDBERG AT871UG Unidirectional Table Mic with 7.5m cable

Documentation

- 113167 TANDBERG Video Systems User Manual CDROM
- 114846 Registration Card
- D13922 Installation Sheet TANDBERG Edge MXP

Camera Cables

- 115418 HD Camera cable T3000, 2m
- 115419 HD Camera cable T3000, 5m

Audio/Video Cables

- 112306 Scart Adapter S-Video
- 115233 VGA to DVI-A cable for PC, with audio (mini-stereo to 2xRCA), 6m
- 115389 Cable Audio/Video phono-phono 1.5m
- 117122 DVI-I to HDMI adapter
- 117135 DVI-I to DVI-I, male/male 5m, black

117137	DVI-A to VGA adapter
117138	2x RCA to 3.5mm Stereo Jack adapter
117298	Audio Cable, phono-2xphono (5m)
117299	S-video cable, mDIN-mDIN 5m, no label

Network Cables

114823	ISDN cables bundled (4x)
112083	Ethernet cable (5m)

Power Cables *(for NA and Japan)*

117318	SA150B-12V, Power supply
112981	Pwr cable US 1.8m black YP-12 to YC-12
115127	Pwr cable Japan 1.8m black YP-12 to YC-12

[Index](#)

115300

TANDBERG 1700 MXP



TANDBERG

Part Number	Description
-------------	-------------

115300	TANDBERG 1700 MXP
--------	--------------------------

Main Components

115305 TANDBERG 1700 MXP Unit

Software

S50000	<i>included</i>	SW PAL/NTSC for MXP
11389025	<i>included</i>	Product ID for 1700 MXP
1153011	<i>included</i>	1700 MXP - 2Mbps IP-only Bandwidth (2304kbps)
115358NPP	<i>option</i>	1700 MXP - Natural Presenter Package (NPP)
115358MS	<i>option</i>	1700 MXP - 4-way MultiSite (MS) (Requires NPP)

Other Components

115350 TANDBERG Remote Control IV
 111022 4x Remote Control Battery LR03 AAA 1.5V Alkaline

Documentation

113167 TANDBERG Video Systems User Manual CDROM
 114846 Registration Card
 D13921 TANDBERG 1700 MXP Installation Sheet

Audio/Video Cables

115639 VGA to DVI-A cable for PC, with audio

Network Cables

112083 Ethernet cable (5m)

Power Cables *(for NA and Japan)*

115643 DC POWER ADAPTER 24V/5A
 112981 Pwr cable US 1.8m black YP-12 to YC-12
 115127 Pwr cable Japan 1.8m black YP-12 to YC-12

[Index](#)

113570

TANDBERG 990 MXP



TANDBERG

Part Number	Description
-------------	-------------

113570	TANDBERG 990 MXP
---------------	-------------------------

Main Components

113531N Set-top MXP Unit Full NTSC

Software

S50000	<i>included</i>	SW PAL/NTSC for MXP
11389010	<i>included</i>	Set-top Version Key for 990 MXP
1138341	<i>included</i>	990 MXP - 2Mbps IP-only Bandwidth (2304kbps)
113824NPP	<i>option</i>	990 MXP - Natural Presenter Package (NPP)
113824MS	<i>option</i>	990 MXP - 4-way MultiSite (MS) (Requires NPP)
1138342	<i>option</i>	990 MXP - 512kbps ISDN / 2 Mbps IP Bandwidth

Other Components

115350 TANDBERG Remote Control IV
 111022 4x Remote Control Battery LR03 AAA 1.5V Alkaline
 115258 TANDBERG AT871UG Unidirectional Table Mic with 7.5m cable

Documentation

113167 TANDBERG Video Systems User Manual CDROM
 114846 Registration Card
 D13326 TANDBERG Settop MXP Inst Sheet

Audio/Video Cables

115389 Cable Audio/Video phono-phono 1.5m
 111816 S-video cable, mDIN-mDIN 2m, no label
 113435 VGA to DVI-A cable, male/male 5m black

Network Cables

111890M1-4 4x ISDN cable 5m
 112083 Ethernet cable (5m)

Power Cables (for NA and Japan)

117318 SA150B-12V, Power supply
 112981 Pwr cable US 1.8m black YP-12 to YC-12
 115127 Pwr cable Japan 1.8m black YP-12 to YC-12

[Index](#)

113560

TANDBERG 880 MXP



TANDBERG

Part Number	Description
-------------	-------------

113560	TANDBERG 880 MXP
---------------	-------------------------

Main Components

113531N Set-top MXP Unit Full NTSC

Software

S50000	<i>included</i>	SW PAL/NTSC for MXP
11389011	<i>included</i>	Set-top Version Key for 880 MXP
1138351	<i>included</i>	880 MXP - 1.1Mbps IP-only Bandwidth
113825NPP	<i>option</i>	TANDBERG 880 MXP Natural Presenter Package (NPP)
113825MS	<i>option</i>	TANDBERG 880 MXP MultiSite (MS) (Requires NPP)
1138352	<i>option</i>	TANDBERG 880 MXP 384 kbps ISDN/1.1 Mbps IP

Other Components

115350 TANDBERG Remote Control IV
 111022 4x Remote Control Battery LR03 AAA 1.5V Alkaline
 115258 TANDBERG AT871UG Unidirectional Table Mic with 7.5m cable

Documentation

113167 TANDBERG Video Systems User Manual CDROM
 114846 Registration Card
 D13326 TANDBERG Settop MXP Inst Sheet

Audio/Video Cables

115389 Cable Audio/Video phono-phono 1.5m
 111816 S-video cable, mDIN-mDIN 2m, no label
 113435 VGA to DVI-A cable, male/male 5m black

Network Cables

111890M1-4 4x ISDN cable 5m
 112083 Ethernet cable (5m)

Power Cables (for NA and Japan)

117318 SA150B-12V, Power supply
 112981 Pwr cable US 1.8m black YP-12 to YC-12
 115127 Pwr cable Japan 1.8m black YP-12 to YC-12

[Index](#)

- 113530 **TANDBERG 770 MXP**
- 114142 **TANDBERG 770 MXP for Call Manager**

TANDBERG



Part Number	Description
-------------	-------------

113530	TANDBERG 770 MXP
---------------	-------------------------

Main Components

113531N Set-top MXP Unit Full NTSC

Software

S50000	<i>included</i>	SW PAL/NTSC for MXP
11389012	<i>included</i>	Set-top Version Key for 770
1138361	<i>included</i>	770 MXP - 768kbps IP-only Bandwidth
113826NPP	<i>option</i>	770 MXP - Natural Presenter Package (NPP)
1138362	<i>option</i>	770 MXP - 128kbps ISDN Bandwidth

Other Components

115350	TANDBERG Remote Control IV
111022	4x Remote Control Battery LR03 AAA 1.5V Alkaline
115258	TANDBERG AT871UG Unidirectional Table Mic with 7.5m cable

Documentation

113167	TANDBERG Video Systems User Manual CDROM
114846	Registration Card
D13326	TANDBERG Settop MXP Inst Sheet

Audio/Video Cables

115389	Cable Audio/Video phono-phono 1.5m
111816	S-video cable, mDIN-mDIN 2m, no label
113435	VGA to DVI-A cable, male/male 5m black

Network Cables

111890M1-4	4x ISDN cable 5m
112083	Ethernet cable (5m)

Power Cables (for NA and Japan)

117318	SA150B-12V, Power supply
112981	Pwr cable US 1.8m black YP-12 to YC-12
115127	Pwr cable Japan 1.8m black YP-12 to YC-12

Main Components

113531N Set-top MXP Unit Full NTSC

Software

S50100	<i>included</i>	SW SCCP PAL/NTSC for MXP
11389012	<i>included</i>	Set-top Version Key for 770
1144021	<i>included</i>	T770 SCCP MXP 0/768 sw option

Other Components

114050	TANDBERG SCCP Remote Control
111022	4x Remote Control Battery LR03 AAA 1.5V Alkaline
115258	TANDBERG AT871UG Unidirectional Table Mic with 7.5m cable

Documentation

113520	TANDBERG SCCP Systems User Manual CD
114846	Registration Card
D13296	TANDBERG SCCP Important Admin. Note

Audio/Video Cables

115389	Cable Audio/Video phono-phono 1.5m
111016	Audio Cable-459, phono-2xphono (1.5m)
111816	S-video cable, mDIN-mDIN 2m, no label
113435	VGA to DVI-A cable, male/male 5m black

Network Cables

112083	Ethernet cable (5m)
D13668	T1000 MXP/ T550 SCCP Install Sheet

Power cables *(for NA and Japan)*

117318	SA150B-12V, Power supply
112981	Pwr cable US 1.8m black YP-12 to YC-12
115127	Pwr cable Japan 1.8m black YP-12 to YC-12

[Index](#)

- 114001 **TANDBERG 1000 MXP**
- 114002 **TANDBERG 1000 MXP for Cisco Call Manager**



TANDBERG

Part Number	Description
-------------	-------------

114001	TANDBERG 1000 MXP
---------------	--------------------------

Main Components

114000N TANDBERG 1000 MXP Unit NTSC

Software

S50000	<i>included</i>	SW PAL/NTSC for MXP
11389015	<i>included</i>	1000 MXP Product ID
1140081	<i>included</i>	T1000 MXP 0/768 sw option
114349NPP	<i>option</i>	TANDBERG 1000 MXP Natural Presenter Package (NPP)
1140082	<i>option</i>	TANDBERG 1000 MXP 128 kbps ISDN/768 kbps IP Option
1140083	<i>option</i>	TANDBERG 1000 MXP 384 kbps ISDN/768 kbps IP Option

Other Components

115350	TANDBERG Remote Control IV
111022	4x Remote Control Battery LR03 AAA 1.5V Alkaline
112749	Extension cable 1m 2,5mm jack

Documentation

113167	TANDBERG Video Systems User Manual CDROM
114846	Registration Card
D13667	T1000 MXP Installation Sheet

Audio/Video Cables

113436 VGA to DVI-A cable, male/male 1.5m black

Network Cables

112083	Ethernet cable (5m)
111890M1-3	3x ISDN cable 5m

Power cables (for NA and Japan)

116829	Power supply
112981	Pwr cable US 1.8m black YP-12 to YC-12
115127	Pwr cable Japan 1.8m black YP-12 to YC-12

Main Components

114000N TANDBERG 1000 MXP Unit NTSC

Software

S50100 *included* SW SCCP PAL/NTSC for MXP
 11389015 *included* 1000 MXP Product ID
 1137822 *included* T1000 SCCP MXP 0/768 sw option

Other Components

114050 TANDBERG SCCP Remote Control
 111022 4x Remote Control Battery LR03 AAA 1.5V Alkaline
 112749 Extension cable 1m 2,5mm jack

Documentation

113520 TANDBERG SCCP Systems User Manual CD
 114846 Registration Card
 D13668 T1000 MXP/ T550 SCCP Install Sheet

Audio/Video Cables

113436 VGA to DVI-A cable, male/male 1.5m black

Network Cables

112083 Ethernet cable (5m)
 D13296 TANDBERG SCCP Important Admin. Note

Power Cables *(for NA and Japan)*

116829 Power supply
 112981 Pwr cable US 1.8m black YP-12 to YC-12
 115127 Pwr cable Japan 1.8m black YP-12 to YC-12

[Index](#)

113502

TANDBERG 150 MXP



TANDBERG

Part Number	Description
-------------	-------------

113502	TANDBERG 150 MXP
--------	-------------------------

Main Components

- | | | |
|---------|---------------|------------------------------|
| 113509N | | TANDBERG 150 MXP Unit NTSC |
| 114438 | <i>option</i> | TANDBERG 150 MXP Handset kit |

Software

- | | | |
|--------|--|----------------------|
| S51000 | | SW PAL/NTSC for T150 |
|--------|--|----------------------|

Documentation

- | | | |
|--------|--|--|
| 113167 | | TANDBERG Video Systems User Manual CDROM |
| 114846 | | Registration Card |

Network Cables

- | | | |
|--------|--|-------------------------------------|
| 113743 | | Network cable, 2m |
| D13651 | | TANDBERG 150 MXP Installation Sheet |

Power Cables *(for NA and Japan)*

- | | | |
|--------|--|---|
| 115688 | | Power Supply, Power Jack 2.5mm, +center |
| 113038 | | Power cable US, straight 1,8m, black |
| 115823 | | Pwr cable Japan 1.8m w/label YP13/YC13 |

[Index](#)

115890

TANDBERG Profile 8000 MXP

**Last Time Buy was May 1, 2009
Replacement is 118950**



TANDBERG

Part Number	Description
-------------	-------------

115890	TANDBERG Profile 8000 MXP
--------	---------------------------

Main Components

113200T1	Unit Codec 6000 MXP
114500G	TANDBERG Precision HD Camera Grey
113355VERT	Digital Natural Audio Module Vertical 2 x Pioneer 50" Plasma - model # subject to change

Software

S50000	included	SW PAL/NTSC for MXP
11389001	included	Product ID for Profile 8000 MXP
1148621	included	TANDBERG 8000 MXP 768/3M sw option
114861NPP	option	TANDBERG 8000 MXP Natural Presenter Package (NPP)
114861MS	option	TANDBERG 8000 MXP MultiSite (MS) (Requires NPP)
1148622	option	TANDBERG 8000 MXP 2 Mbps ISDN/Ext.Netw./6 Mbps IP

Other Components

1116691	TANDBERG Tracker
115350	TANDBERG Remote Control IV
111022	4x Remote Control Battery LR03 AAA 1.5V Alkaline
115260	3x Onmidirectional Microphone AT841UG w/cable (7.5m)

The base assembly includes the following:

113052	TANDBERG 8000 Base
	TANDBERG 8000 Dual Mon.Frame
111888	T1/PRI Cable (5m)
112083	Ethernet cable (5m)
112836	Audio cable phono-phono, 1.5m
112980	Pwr cable 1.8m black, YP-32 to YC-12
113053	Cable for HD Camera, 2,15m
114751	DVI-D to DVI-D w/ferrite, black, 1,5 m
115233	VGA to DVI-A cable for PC, with audio (mini-stereo to 2xRCA), 6m

Documentation

113167	TANDBERG Video Systems User Manual CDROM
--------	--

114846
113048

Registration Card
TANDBERG 8000 Installation Sheet

Power cables

112982
115127

Power cable (grounded), Euro (1.8m)
Power cable (grounded), Japan (1.8m)

Network Cables

114823
111890M5-6

ISDN cables bundled (4x)
2 x ISDN cables (5m)

[Index](#)

115880

TANDBERG Profile 6000 MXP

**Last Time Buy was March 1, 2009
Replacement is 118935**



TANDBERG

Part Number	Description
-------------	-------------

115880	TANDBERG Profile 6000 MXP
--------	---------------------------

Main Components

113200T1	Unit Codec 6000 MXP
114500S	TANDBERG Precision HD Camera Silver
113355H50	Digital Natural Audio Module H50
116175	Pioneer 50" PDP-50MXE20-S (Silver)

Software

S50000	included	SW PAL/NTSC for MXP
11389018	included	Product ID for Profile 6000 MXP
1148802	included	T6000 MXP Profile 768/3Msw option
113820NPP	option	TANDBERG 6000 MXP Natural Presenter Package (NPP)
113820MS	option	TANDBERG 6000 MXP MultiSite (MS) (Requires NPP)
1138303	option	TANDBERG 6000 MXP 2 Mbps ISDN/Ext.Netw./6 Mbps IP

Other Components

1116691		TANDBERG Tracker (incl. batteries)
115350		TANDBERG Remote Control IV
111022		4x Remote Control Battery LR03 AAA 1.5V Alkaline
115259		2x Onmidirectional Microphone AT841R w/cable (7.5m)
115075	option	Wheel Base option for TANDBERG 6000 MXP Profile Single 50"
115234		Wall Bracket 6000

The base assembly includes the following:

114200	Foot Assembly
114253	Column Assembly
112083	Ethernet cable (5m)
112836	Audio cable phono-phono, 1.5m
112735	Powerstrip Miniblock
112980	Pwr cable 1.8m black, YP-32 to YC-12
114751	DVI-D to DVI-D w/ferrite, black, 1,5 m
115233	VGA to DVI-A cable for PC, with audio (mini-stereo to 2xRCA), 6m
115790	HD Camera Cable T6000 Profile 1meter

Documentation

113167 TANDBERG Video Systems User Manual CDROM
114846 Registration Card
D13728 InstallationSheet T3000/6000 MXP Profile

Power cables

112981 Pwr cable US 1.8m black YP-12 to YC-12
115127 Power cable (grounded), Japan (1.8m)

Network Cables

114823 ISDN cables bundled (4x)
111890M5-6 2 x ISDN cables (5m)
111888 T1/PRI Cable (5m)

[Index](#)

117000S
117000W

TANDBERG T1 Room System, Floor Stand
TANDBERG T1 Room System, Wall Mount

Last Time Buy - orders accepted until Dec 31, 2009
Replacement is 112050 Profile 65



TANDBERG

Part Number	Description
-------------	-------------

117000S	TANDBERG T1 Room System w/Floor Stand
---------	---------------------------------------

Main Components

117000	TANDBERG T1 Modular
116805	C90 Unit Codec
116550G	PrecisionHD 1080p 12X Camera - Grey
116611	Hood for Lens
117030	DNAM for T1
117001	TANDBERG 65" LCD
117002	Bottom Module

Software

S52000	<i>included</i>	SW for Codec - 10Mb total bandwidth / 6Mb max per call - includes 720p30
113891P003	<i>included</i>	Product ID for T1
117093NPP	<i>option</i>	T1 - Natural Presenter Package (NPP) - allows dual streams
117093MS	<i>option</i>	T1 - 4 Way 1080p30 / 720p60 Multisite (HD-MS)
117093PR	<i>option</i>	T1 - Premium Resolution (720p60 / 1080p30 / UXGA)

Other Components

117001S	T1 Floor Stand
117250	TANDBERG Remote Control V
111022	4x Remote Control Battery LR03 AAA 1.5V Alkaline
115260	Qty 3 Omnidirectional Microphone AT841UG

The bottom module includes the following:

117082	Camera cable assembly 2.5 m
117083	Cable 15p DSUB - 15p DSUB 0,2 m w/labels
117084	Cable RCA - RCA 0,76 m w/labels
117087	Cable USB - 9p DSUB 1,0 m
117840	Cable DVI -HDMI 0,92 m w/labels
112735	Powerstrip Miniblock
115233	VGA to DVI-A cable for PC, with audio (mini-stereo to 2xRCA), 6m
115261	Qty 3 Mic cable 7.5m

Documentation

113167	TANDBERG Video Systems User Manual CDRom
114846	Registration Card
117098	Installation Sheet T1

Camera Cables

HDMI Camera cable
HD Camera Control/Power cable

Network Cables

112083	Ethernet cable (5m)
--------	---------------------

Power Cables *(for NA and Japan)*

112980	Pwr cable 1.8m black, YP-32 to YC-12
118528	Cable Pwr US YP-12 to YC12 1,8m
118530	Cable Pwr JPN YP12 to YC12 1,8m

117000W TANDBERG T1 Room System w/Wall Mount

**CONTAINS ALL OF THE ITEMS LISTED ABOVE FOR 117000S TANDBERG T1,
except the following:**

117003S	Foot Stand-alone Kit
is *deleted* and replaced with	
117003W	Foot Wall-mount Kit

[Index](#)

114137

TANDBERG 990 V.35 MXP



TANDBERG

Last Time Buy - orders accepted until March 31, 2010
Replacement is 3000 MXP V.35

Part Number	Description
-------------	-------------

114137	TANDBERG 990 V.35 MXP
--------	-----------------------

Main Components

114132N Set-top MXP Net Unit NTSC

Software

S50000 *included* SW PAL/NTSC for MXP
 11389010 *included* Set-top Version Key for 990 MXP
 1144042 *included* 990 V.35 MXP - 768 kbps / 2 Mbps IP Bandwidth
 114406NPP *option* 990 V.35 MXP - Natural Presenter Package (NPP)
 114406MS *option* 990 V.35 MXP - 4-way MultiSite (MS) (Requires NPP)

The following option is not strictly for the V.35 unit, but does work for 512k on V.35

1138342 990 MXP - 512kbps ISDN / 2 Mbps IP Bandwidth

Other Components

115350 TANDBERG Remote Control IV
 111022 4x Remote Control Battery LR03 AAA 1.5V Alkaline
 115258 TANDBERG AT871UG Unidirectional Table Mic with 7.5m cable

Documentation

113167 TANDBERG Video Systems User Manual CDROM
 114846 Registration Card
 D13669 TANDBERG Settop V35 MXP Inst Sheet

Audio/Video Cables

115389 Cable Audio/Video phono-phono 1.5m
 111816 S-video cable, mDIN-mDIN 2m, no label
 113435 VGA to DVI-A cable, male/male 5m black

Network Cables

111890M1-4 4x ISDN cable 5m
 112083 Ethernet cable (5m)
 D13326 TANDBERG Settop MXP Inst Sheet

Power cables (for NA and Japan)

117318
112981
115127

SA150B-12V, Power supply
Pwr cable US 1.8m black YP-12 to YC-12
Pwr cable Japan 1.8m black YP-12 to YC-12

[Index](#)

114136

TANDBERG 880 V.35 MXP



TANDBERG

**Last Time Buy - orders accepted until March 31, 2010
Replacement is 3000 MXP V.35**

Part Number	Description
-------------	-------------

114136	TANDBERG 880 V.35 MXP
--------	------------------------------

Main Components

114132N Set-top MXP V.35 Unit NTSC

Software

S50000	<i>included</i>	SW PAL/NTSC for MXP
11389011	<i>included</i>	Set-top Version Key for 880 MXP
1144032	<i>included</i>	880 V.35 MXP - 384kbps V.35 / 1.1 Mbps IP Bandwidth
114405NPP	<i>option</i>	880 V.35 MXP - Natural Presenter Package (NPP)
114405MS	<i>option</i>	880 V.35 MXP - 4-way MultiSite (MS) (Requires NPP)

Other Components

115350 TANDBERG Remote Control IV
 111022 4x Remote Control Battery LR03 AAA 1.5V Alkaline
 115258 TANDBERG AT871UG Unidirectional Table Mic with 7.5m cable

Documentation

113167 TANDBERG Video Systems User Manual CDROM
 114846 Registration Card
 D13669 TANDBERG Settop V35 MXP Inst Sheet

Audio/Video Cables

115389 Cable Audio/Video phono-phono 1.5m
 111816 S-video cable, mDIN-mDIN 2m, no label
 113435 VGA to DVI-A cable, male/male 5m black

Network Cables

111890M1-4 4x ISDN cable 5m
 112083 Ethernet cable (5m)
 D13326 TANDBERG Settop MXP Inst Sheet

Power cables (for NA and Japan)

117318 SA150B-12V, Power supply
 112981 Pwr cable US 1.8m black YP-12 to YC-12
 115127 Pwr cable Japan 1.8m black YP-12 to YC-12